

# IS 345

DALI-2 APC - in-ceiling installation, sq.  
 EAN 4007841 080648  
 Article number 080648



infrared sensor  
360°



max. 20 x 4 m



IP20



2 - 1000 lux



5 sec - 15 min



manual override



ideal 2,5 - 5 m

Teach

Teach mode



energy saving

5 years

manufacturer's  
warranty steinel-  
professional.de/  
garantie

## Function description

Huge reach. Infrared motion detector IS 345 for indoors and out, ideal for passageways, corridors and commonly used spaces, installation height 5 m, detection zone 12 x 6 m (radial) and 23 x 6 m (tangential). Available either in round or square surface-mounted and concealed version.

## Technical specifications

Dimensions (L x W x H)	121 x 94 x 94 mm	Optimum mounting height	2,8 m
Manufacturer's Warranty	5 years	Detection angle	Aisle, 360 °
Settings via	Remote control, Potentiometers, Smart Remote	Angle of aperture	45 °
With remote control	No	Sneak-by guard	Yes
Version	DALI-2 APC - in-ceiling installation, sq.	Capability of masking out individual segments	Yes
PU1, EAN	4007841080648	Electronic scalability	No
Type	Motion detectors	Mechanical scalability	No
Application, place	Indoors	Reach, radial	12 x 6 m (72 m <sup>2</sup> )
Application, room	corridor / aisle, multi-storey / underground car park, Indoors	Reach, tangential	23 x 6 m (138 m <sup>2</sup> )
Colour	white	Switching zones	280 switching zones
Colour, RAL	9003	Functions	Normal / test mode, Manual ON / ON-OFF, Constant-lighting control ON-OFF
Includes corner wall mount	No	Twilight setting	2 – 1000 lx
Installation site	ceiling	Time setting	5 s – 15 Min.
Installation	In-ceiling installation, Ceiling	Basic light level function	Yes
IP-rating	IP20	Basic light level function time	1-30 min, all night

# IS 345

DALI-2 APC - in-ceiling installation, sq.  
EAN 4007841 080648  
Article number 080648



## Technical specifications

Ambient temperature	from -20 up to 50 °C	Main light adjustable	50 - 100 %
Material	Plastic	Twilight setting TEACH	Yes
Mains power supply	220 – 240 V / 50 – 60 Hz	Constant-lighting control	Yes
Steuerausgang, Dali	Broadcast 1x30 electronic ballasts	Interconnection	Yes
Technology, sensors	passive infrared, Light sensor	Type of interconnection	Master/slave
Mounting height	2,50 – 5,00 m	Interconnection via	Cable
Mounting height max.	5,00 m	Product category	Motion detector

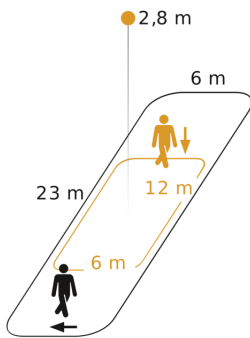
## Accessories

EAN 4007841 592806	User remote control RC5
EAN 4007841 559410	Service remote control RC8
EAN 4007841 009151	Remote control Smart Remote
EAN 4007841 056728	Black cover for IR-sensors

# IS 345

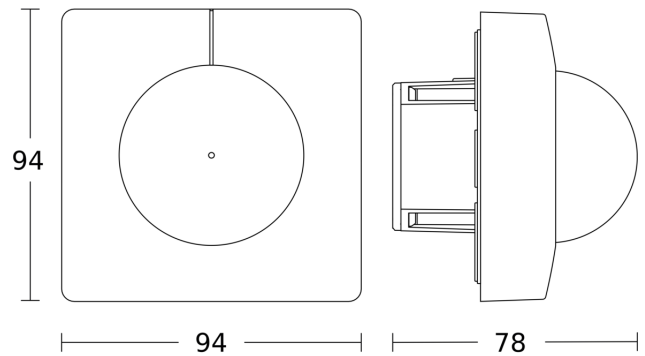
DALI-2 APC - in-ceiling installation, sq.  
EAN 4007841 080648  
Article number 080648

## Detection Zone

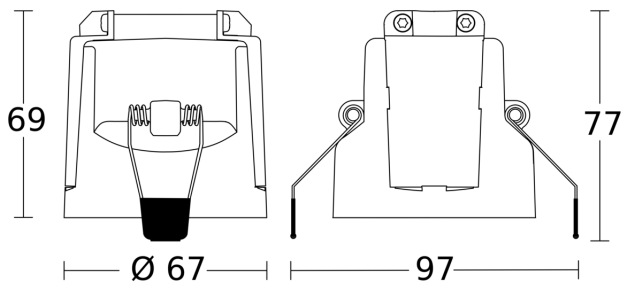


Possible mounting height: 2,50 m - 5,00 m  
Orange: radial  
Black: tangential

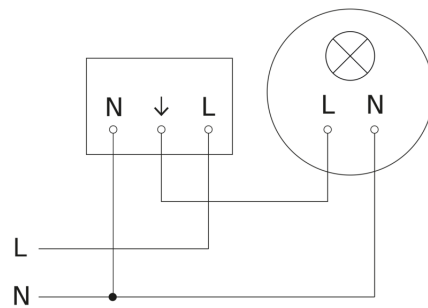
## Dimension Drawing 1



## Dimension Drawing 2



## Master circuit diagram



# IS 345

DALI-2 APC - in-ceiling installation, sq.  
EAN 4007841 080648  
Article number 080648

## Master/slave interconnection circuit diagram

